

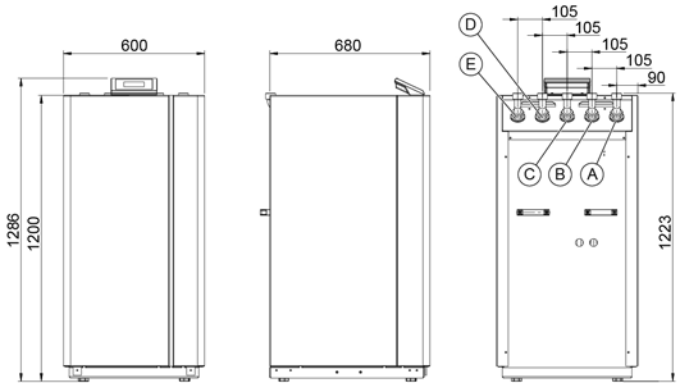
# TERRA 11 HPLA

## MONOVALENT HEATING SYSTEM WITH BRINE AS HEAT SOURCE

ORDER NUMBER: 265030

SERIES: M2

TF MAX. 65 °C



(A) FLHC (outlet) (B) FLT (outlet) (C) RTN (inlet) (D) WQA (outlet) (E) WQA (inlet)

### APPLIANCE DATA

Dimensions HxWxD	[mm]	1285x600x681
Hydraulic connection	[inch]	1 1/4"
Weight	[kg]	220
Casing colour		White/anthracite

### SPECIFICATION

Phases/nominal voltage/frequency	[~]/[V]/[Hz]	3/400/50
Output factor cos φ		0,89
Fuse protection (tripping curve "C")	[A]	16
Max. operating current	[A]	7,40
Max. starting current/max. with soft start	[A]	52.00 / 26.00
Sound power level/sound pressure level (at 1 m distance)	[dBA]	48.00 / 40.00

### HEATING MODE PERFORMANCE FIGURES (to EN 14511)

Standard point B0/W35		
Heating output	[kW]	10,30
Total power consumption / operating current	[kW]/[A]	2.05 / 3.30
COP		5,00
Operating point B0/W50		
Heating output	[kW]	9,30
Total power consumption / operating current	[kW]/[A]	3.10 / 5.10
COP		3,00
Operating point B0/W60		
Heating output	[kW]	8,80
Total power consumption / operating current	[kW]/[A]	3.70 / 6.10
COP		2,40

### CONDENSER

Type		Plate heat exchanger
Material		Stainless steel 1.4301
Max. refrigerant operating pressure	[bar]	45
Max. heat transfer medium operating pressure	[bar]	6
Heat transfer medium temperature differential	[K]	5
Application range	[°C]	65
Heat transfer medium		Water
Test pressure	[bar]	54
Heat transfer medium flow rate	[m³/h]	1,77
Internal pressure differential	[mbar]	279
Flow meter (FM)	Internal	Installed as
Circulation pump heat sink (WNA)	Internal	Yonos Para HPS 25/7.5
Residual head I WNA external	[mbar]	351

### REFRIGERANT CIRCUIT

Refrigerant		R410A
Refrigerant charge	[kg]	2,25

### COMPRESSOR

Type		Scroll
Output levels		1
Speed	[rpm]	2900
Voltage/frequency	[V]/[Hz]	400/50

### EVAPORATOR

Type		Plate heat exchanger
Material		Stainless steel 1.4301
Number	[pce]	1
Max. heat transfer medium operating pressure	[bar]	6
Max. refrigerant operating pressure	[bar]	12
Heat transfer medium temperature differential	[K]	3
Application range	[°C]	-5/+20
Heat transfer medium		Brine max. 30%
Test pressure	[bar]	54
Heat transfer medium flow rate	[m³/h]	2,59
Internal pressure differential	[mbar]	-
Flow meter (FM)	Internal	Installed as
Circulation pump heat source (WQA)	Internal	Stratos Para 25/1-8
Residual head I WQA external	[mbar]	505

Hydraulic version			Electric immersion heater		3-way switching module	
			Internal	external	Internal	external
M2-1	M4-1		x		x	
M2-2	M4-2			x	x	
M2-3	M4-3		x			x
M2-4	M4-4	M6		x		x

**RECOMMENDED ACCESSORIES**

	Order no./type	Description	Pressure loss
Heat pump separating cylinders	min. PU300	min. PU300	-
DHW tank	min. SP300/SP350	30 l/kW at B0/W50	-
External plate heat exchanger (DHW heating)	911251 PHE 2007	Prim.: 1" Sec.: 1"	Prim.: 77 mbar Sec.: 26 mbar
3-way switching module internal	980196	-	-
3-way switching module external	290229	DN32 (1 1/4"). kvs 16	12 mbar
Electric immersion heater internal	980197	8.8 kW (2.9 / 2.9 / 2.9)	-
External electric immersion heater (heat pump buffer tank)	922508	6 kW	-
Brine collector set (shallow laying)	290169	ESK 6	Pressure loss 78 mbar incl. brine distributor

**EXTRACTION CAPACITY ACC. TO VDI 4640**

**FOR SHALLOW LAYING**

Soil conditions	Max. spec. extraction capacity at 1800 h/a	Max. spec. extraction capacity at 2400 h/a
Dry, non-cohesive soil	10 W/m <sup>2</sup>	8 W/m <sup>2</sup>
Cohesive soil, moist	25 W/m <sup>2</sup>	20 W/m <sup>2</sup>
Water-saturated soil with sand/gravel	40 W/m <sup>2</sup>	32 W/m <sup>2</sup>

**FOR DEEP TRENCH LAYING**

Soil conditions	Max. spec. extraction capacity at 1800 h/a
Cohesive soil, moist	100 W/m deep trench
Water-saturated soil	125 W/m deep trench

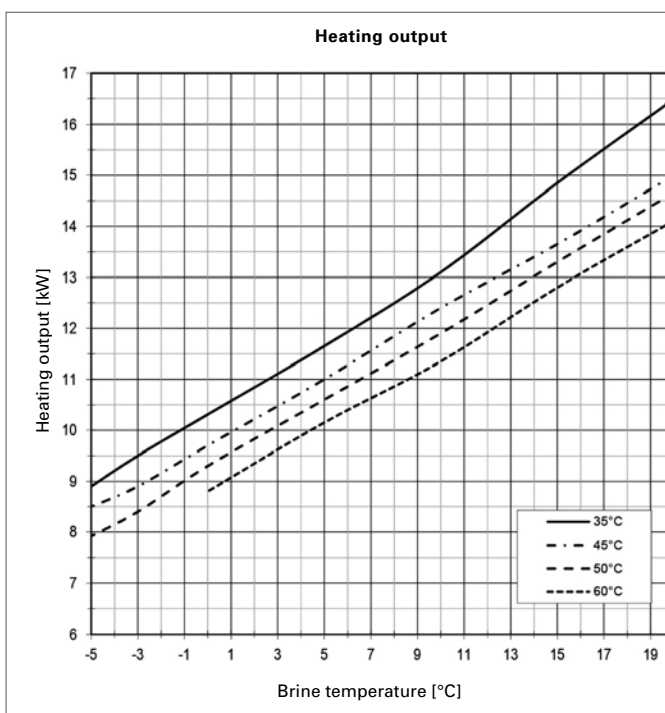
**FOR GEOTHERMAL PROBES**

Soil conditions	Spec. extraction capacity at 1800 h/a	Max. spec. extraction capacity at 2400 h/a
Dry sediment	25 W/m	20 W/m
Shale, slate	45 W/m	35 W/m
Firm rock with high thermal conductivity	84 W/m	70 W/m
Substratum with high groundwater flow	65-80 W/m	55-65 W/m

**SIZING RECOMMENDATION WITH BRINE AS HEAT SOURCE**

Pressure loss in connection line, incl. individual losses	Max. 100 mbar
Pressure loss in brine circuits or probes, incl. brine distributor	Max. 300 mbar

**PERFORMANCE CURVES TERRA 11 HPLA**



**PRODUCT DATA ErP: TERRA 11 HPLA**

	COLDER	MEAN	HOTTER
<b>LOW TEMPERATURE</b> <b>A++</b>		<b>35°C</b>	
ηs	232	221	221
Energy consumption [kWh]	4232	3715	2408
P rated [kW]	10	10	10
SCOP	6,00	5,73	5,71
<b>MEDIUM TEMPERATURE</b> <b>A++</b>		<b>55°C</b>	
ηs	139	134	134
Energy consumption [kWh]	6061	5262	3419
P rated [kW]	9	9	9
SCOP	3,68	3,55	3,54
<b>DHW</b> <b>A</b>		<b>SP300</b>	
ηWH	87	87	87
Energy consumption [kWh]	1645	1645	1645
Draw-off profile		<b>XL</b>	
Tank losses [W]		<b>94</b>	

	indoor	outdoor
Sound power level [dBA]	48,0	-
Controller class with room remote control	VII	Controller contribution [%] 3,5
Controller class without room remote control	III	Controller contribution [%] 1,5

